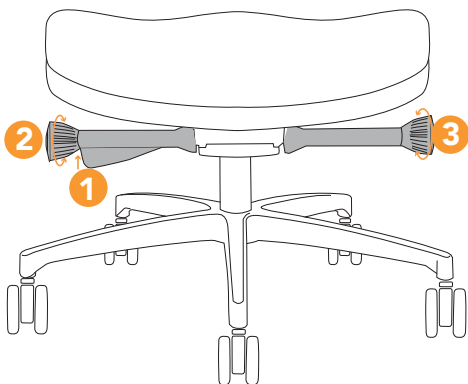




great things happen in a chair



USER GUIDE: **68C** enhanced body balance control

1 seat height adjustment - Adjust the seat height by lifting your weight out of the chair and pulling up on the paddle. Proper seat height is realized when the top of your legs are somewhat parallel to the floor.

2 single rotation back tilt lock adjustment (5 position) - Tilt the seat back to desired angle and twist slightly. To unlock, twist the other way, leaning back to unlock.

3 back/recline tension adjustment - Rotate knob right to increase tilt tension. Rotate knob left to decrease tilt tension.



©2019