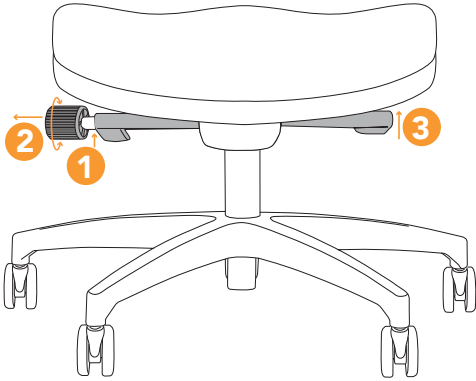




great things happen in a chair



USER GUIDE: **61C** torsion bar knee tilt control

1 seat height adjustment - Adjust the seat height by lifting your weight out of the chair and pulling up on the paddle. Proper seat height is realized when the top of your legs are somewhat parallel to the floor.

2 side tilt tension adjustment - Pull knob out and turn to adjust tilt tension.

3 back tilt lock adjustment (6 position) - Pull lever upward and shift your weight forward or back to desired angle. Release lever to lock. To free float the back, pull lever upward until locked.



©2019