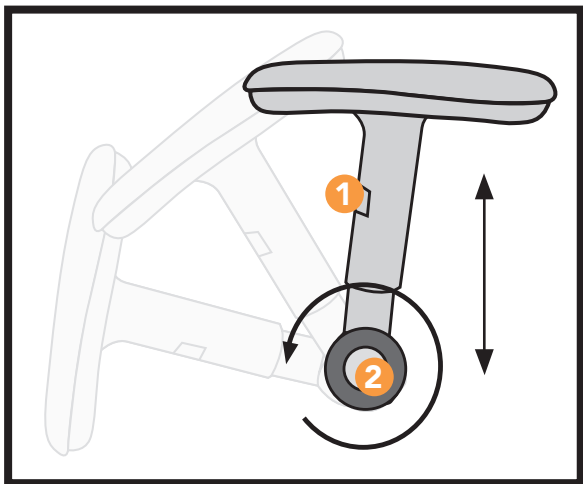


via seating's user guide

39A - Adjustable Height Roll Back Arm



- 1 height adjustment** - while pressing and holding the button, grasp the arm to raise and lower the arm height. range 7.0" to 9.75".
- 2 roll back feature** - while pressing and holding the small button toward the top front on the silver circle, grasp the arm and roll back to horizontal position. repeat to lift back to upright position.