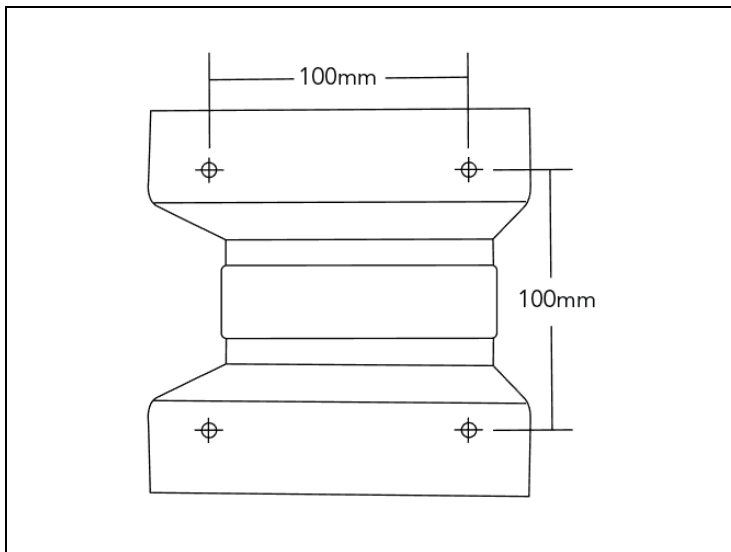
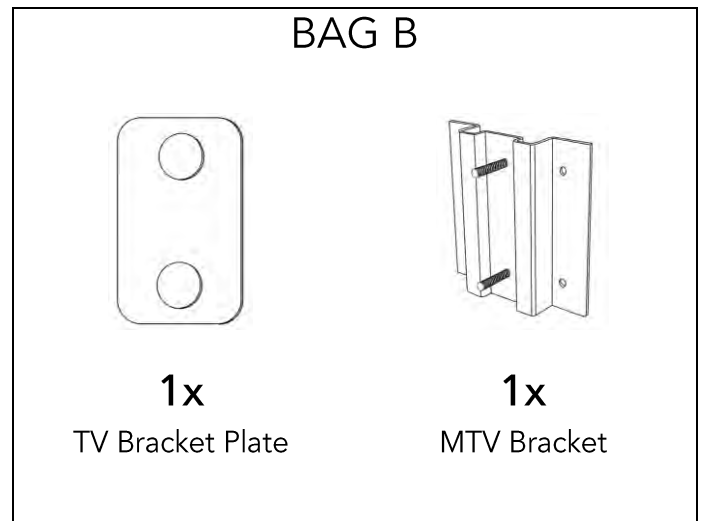
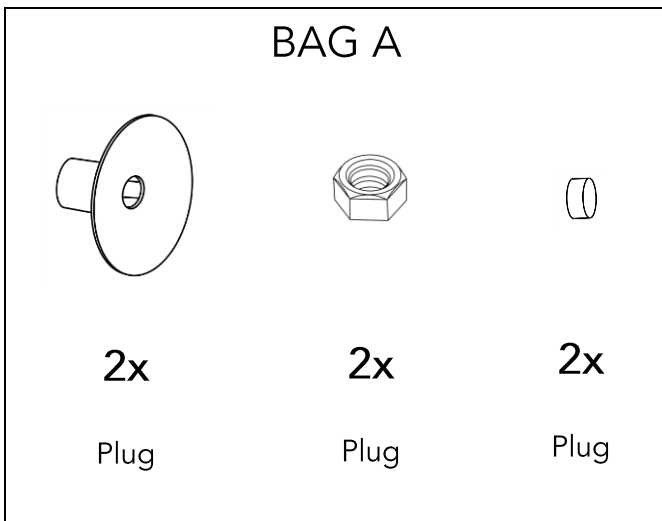


ReGOLA

MTV-Straight Panel Television Bracket Assembly Instructions



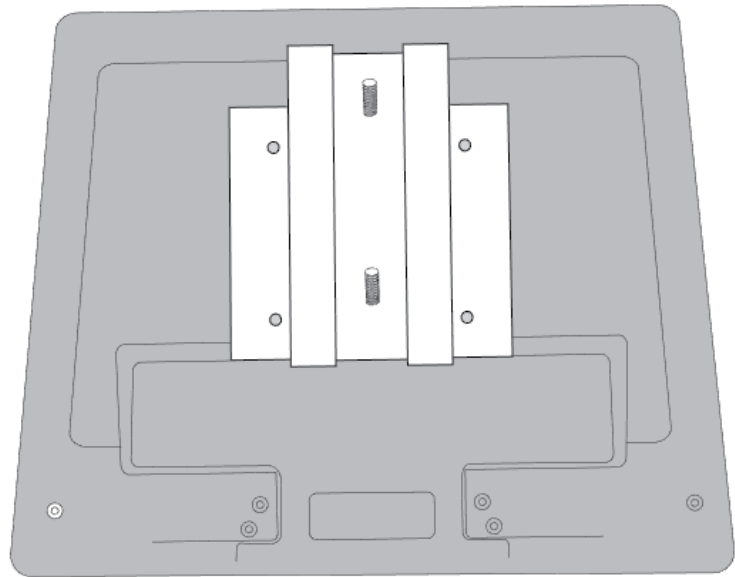
Legola MTV and MCTV Brackets support VESA
100mm x 100mm hole pattern.

NOTE: A maximum television/ monitor size of
24" is recommended for use with the straight
Panel and MTV Bracket.

Instructions:

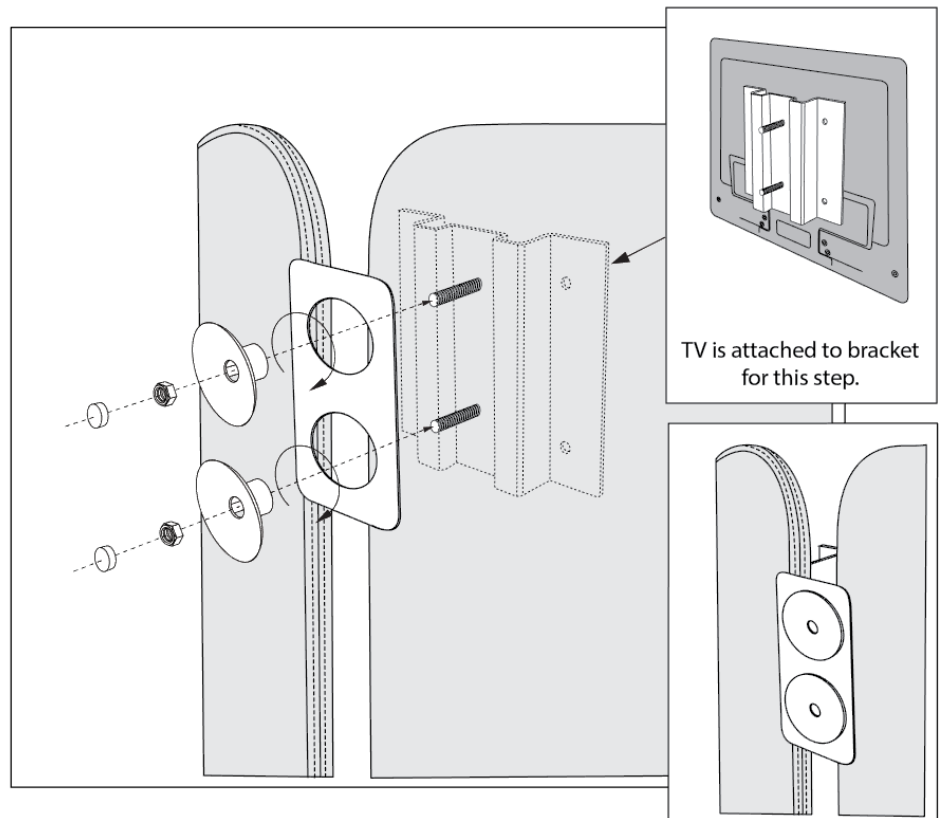
1. Attach television to MTV Bracket with screws (not included).

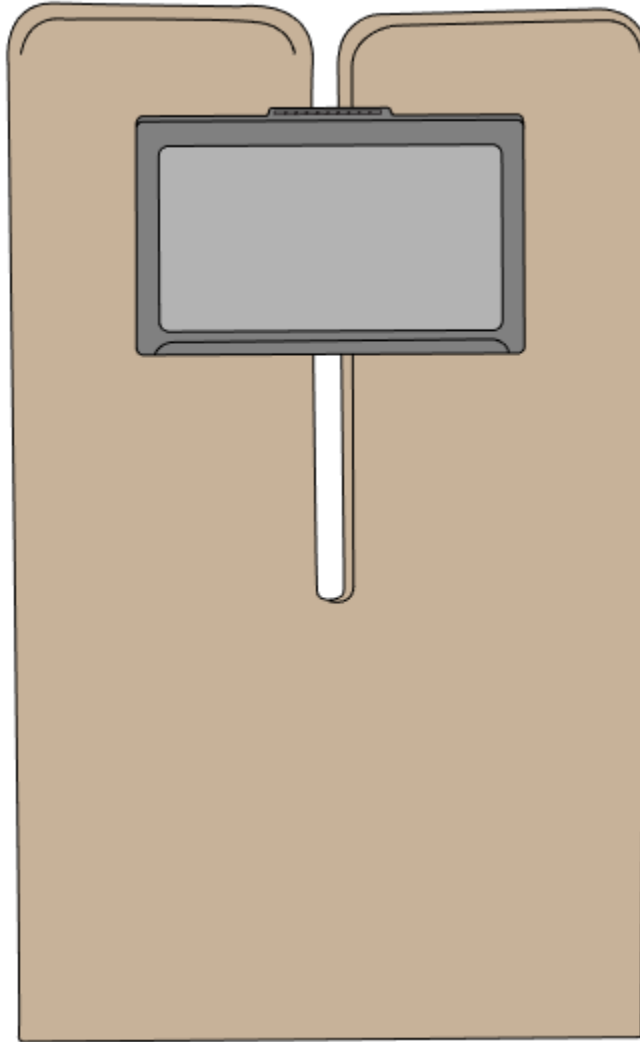
NOTE: Check with your television manufacturer for correct mounting hardware for this step.



CAUTION: To prevent damage to the television this step should be performed with two people (one on either side of the panel).

2. Place TV at desired height. Attach the Buttons to the MCTV Bracket posts through the TV Bracket Plate (BAG B) and tighten with the Nut (BAG A). Cover the Nut with the included Plug (BAG A).





Straight Panel with TV