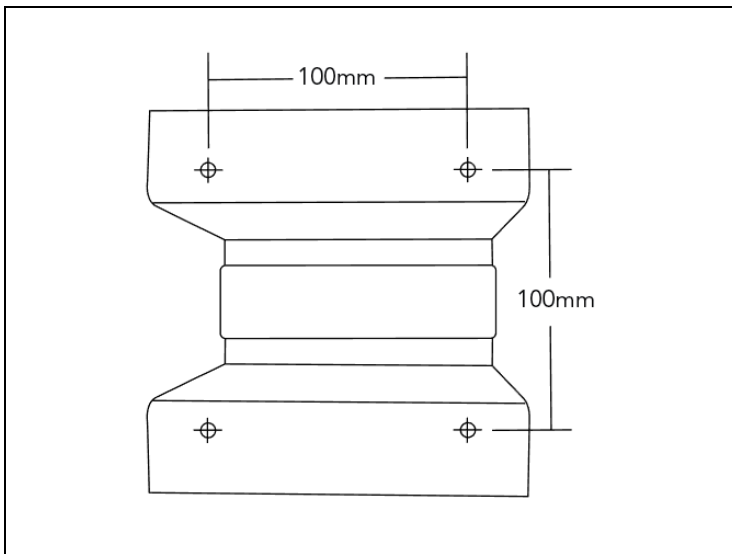
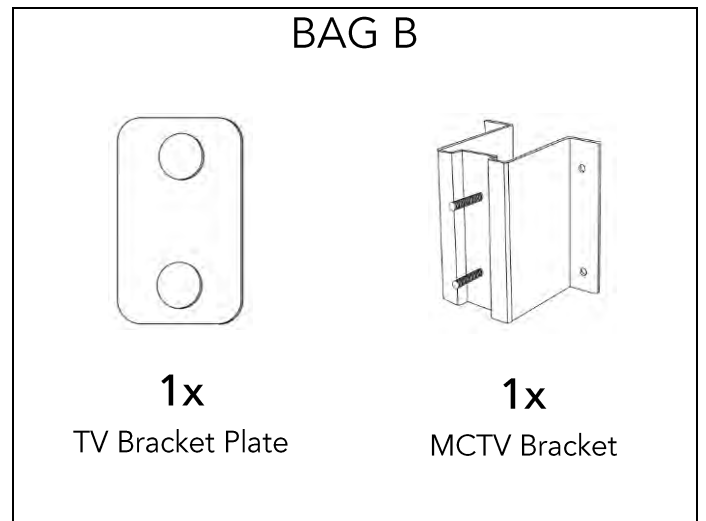
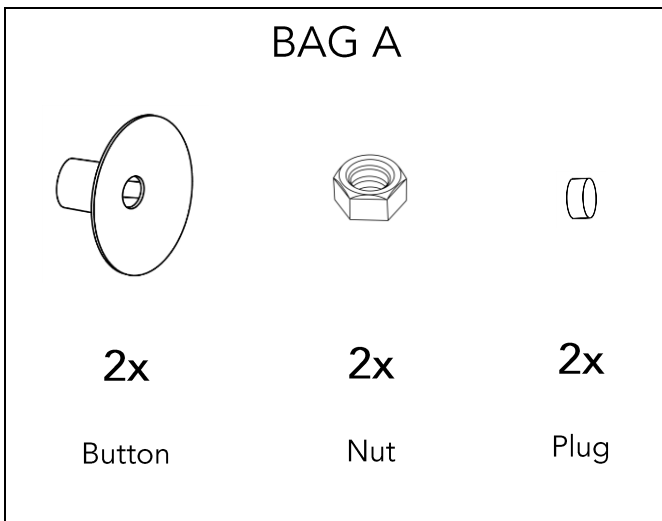


ReGOLA

MCTV-Curved Panel Television Bracket Assembly Instructions



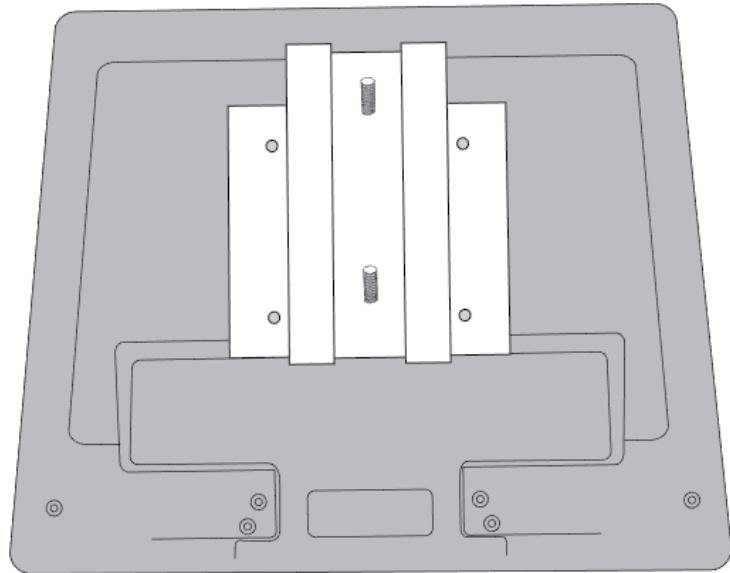
Legola MTV and MCTV Brackets support VESA 100mm x 100mm hole pattern.

NOTE: A maximum television/monitor size of 18" is recommended for use with the curved Panel and MCTV Bracket.

Instructions:

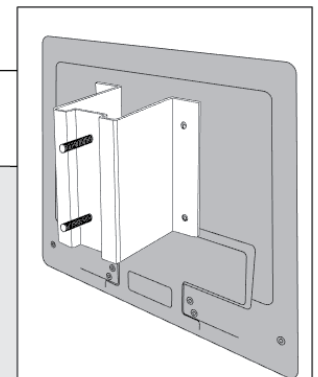
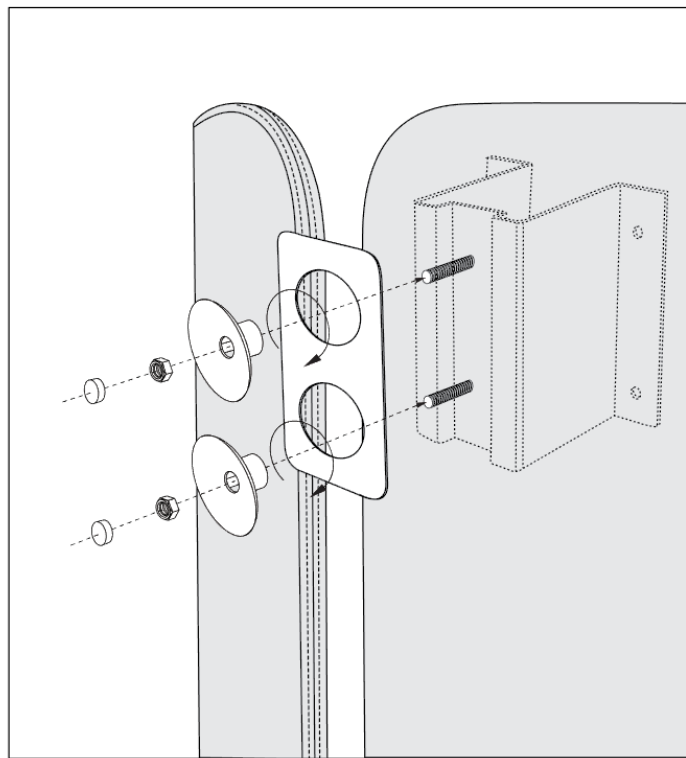
1. Attach television to MCTV Bracket with screws (not included).

NOTE: Check with your television manufacturer for correct mounting hardware for this step.

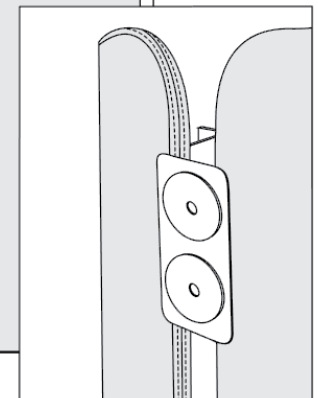


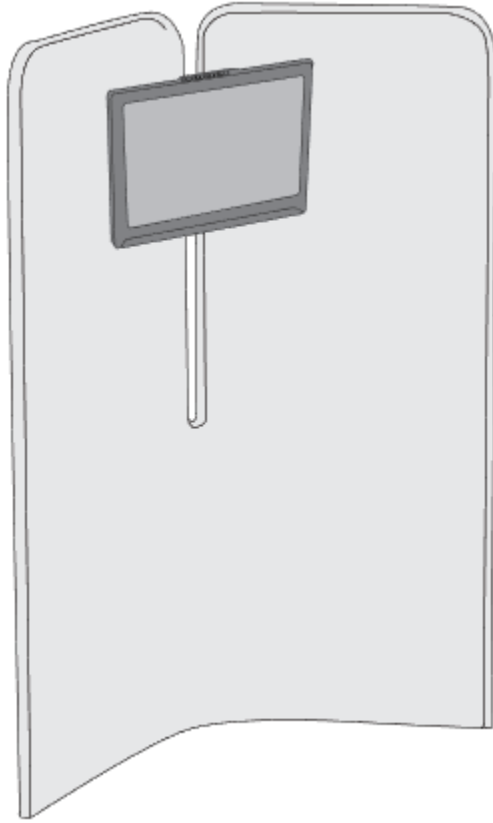
CAUTION: To prevent damage to the television this step should be performed with two people (one on either side of the panel).

2. Place TV at desired height. Attach the Buttons to the MCTV Bracket posts through the TV Bracket Plate (BAG B) and tighten with the Nut (BAG A). Cover the Nut with the included Plug (BAG A).



TV is connected to bracket for this step.





Curved Panel with Television